



U58 New Product




Healthy
Green
Seal

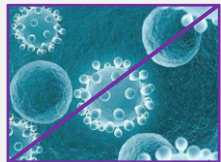
1ST CHOICE

Innovative Lighting solution advancements™

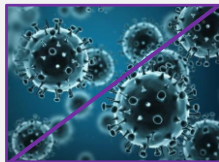
U58 UVC Hybrid Downlight- Disinfection

 UVC can destroy DNA&RNA of microorganism,thus to stop the fertility to achieve disinfection of bacteria and virus.

Common microorganism:



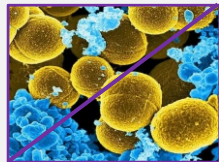
albicans



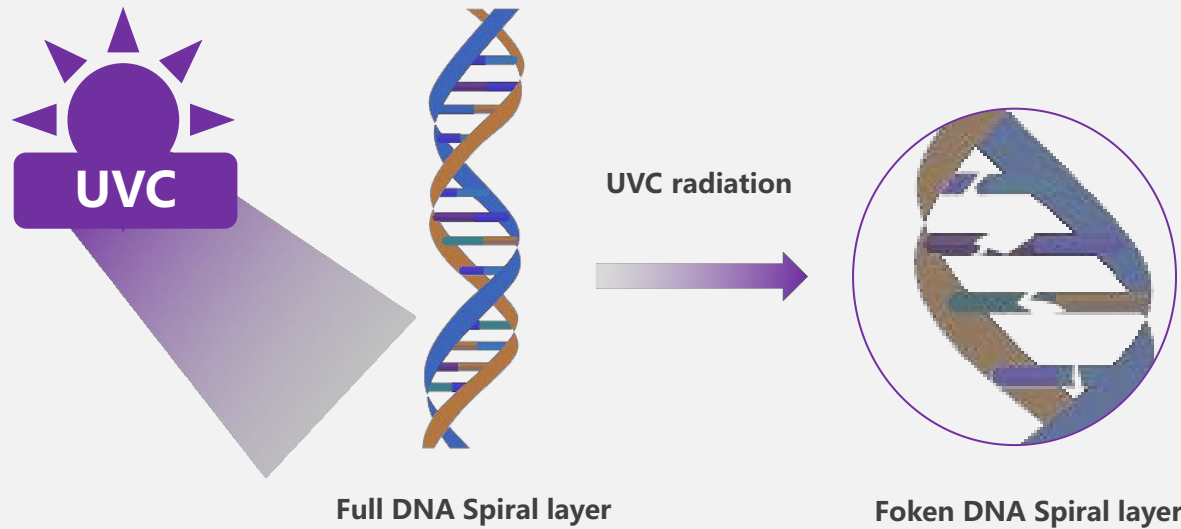
influenza



escherichia coli



Staphylococcus aureus



01

Design

02

Appearance

03

Function

04

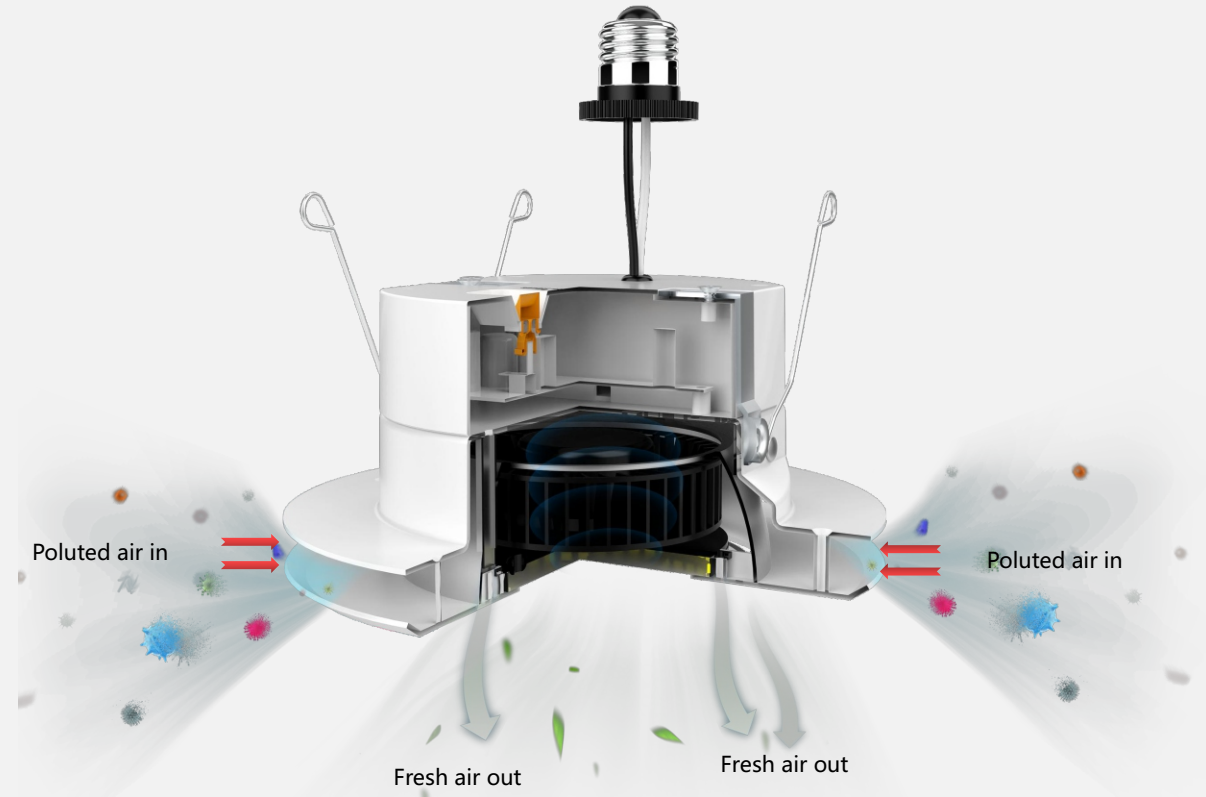
Specification

05

Application

U58 UVC Hybrid Downlight- Design

💡 With a build-in fan and the UVC disinfection chamber,U58 can achieve poluted air in and fresh air out,as a disinfection circle.



01

Design

02

Appearance

03

Function

04

Specification

05

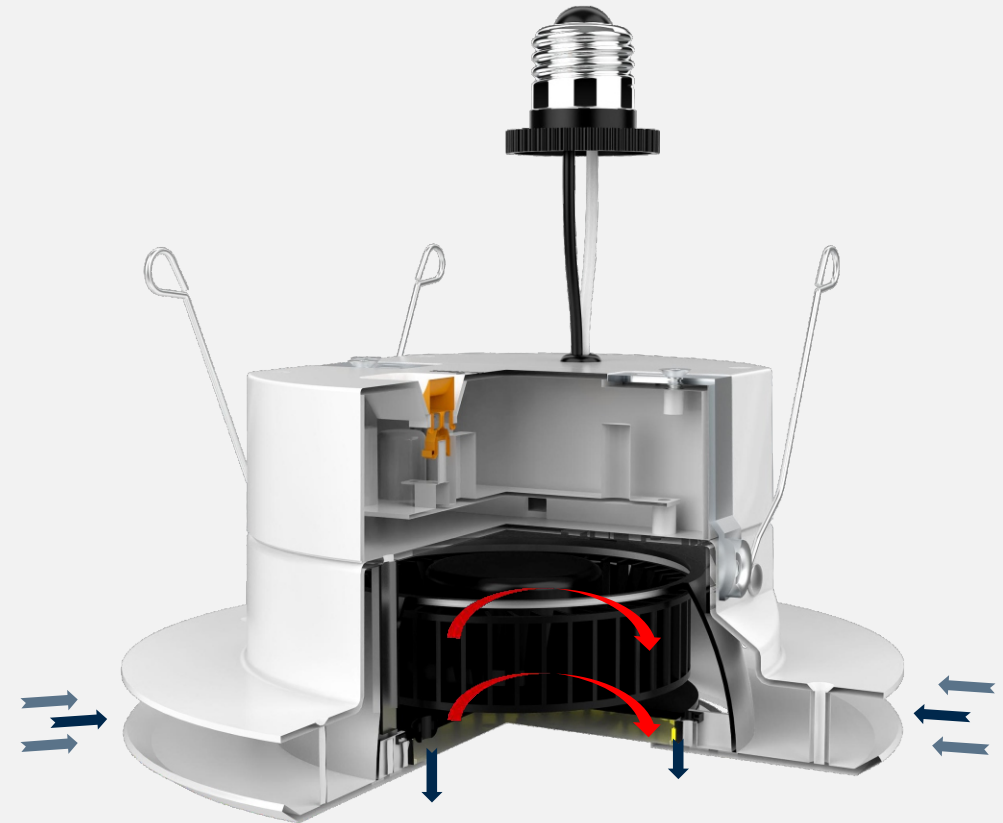
Application

U58 UVC Hybrid Downlight-centrifugal fan

💡 With strong laboratory testing, to achieve higher disinfection rate

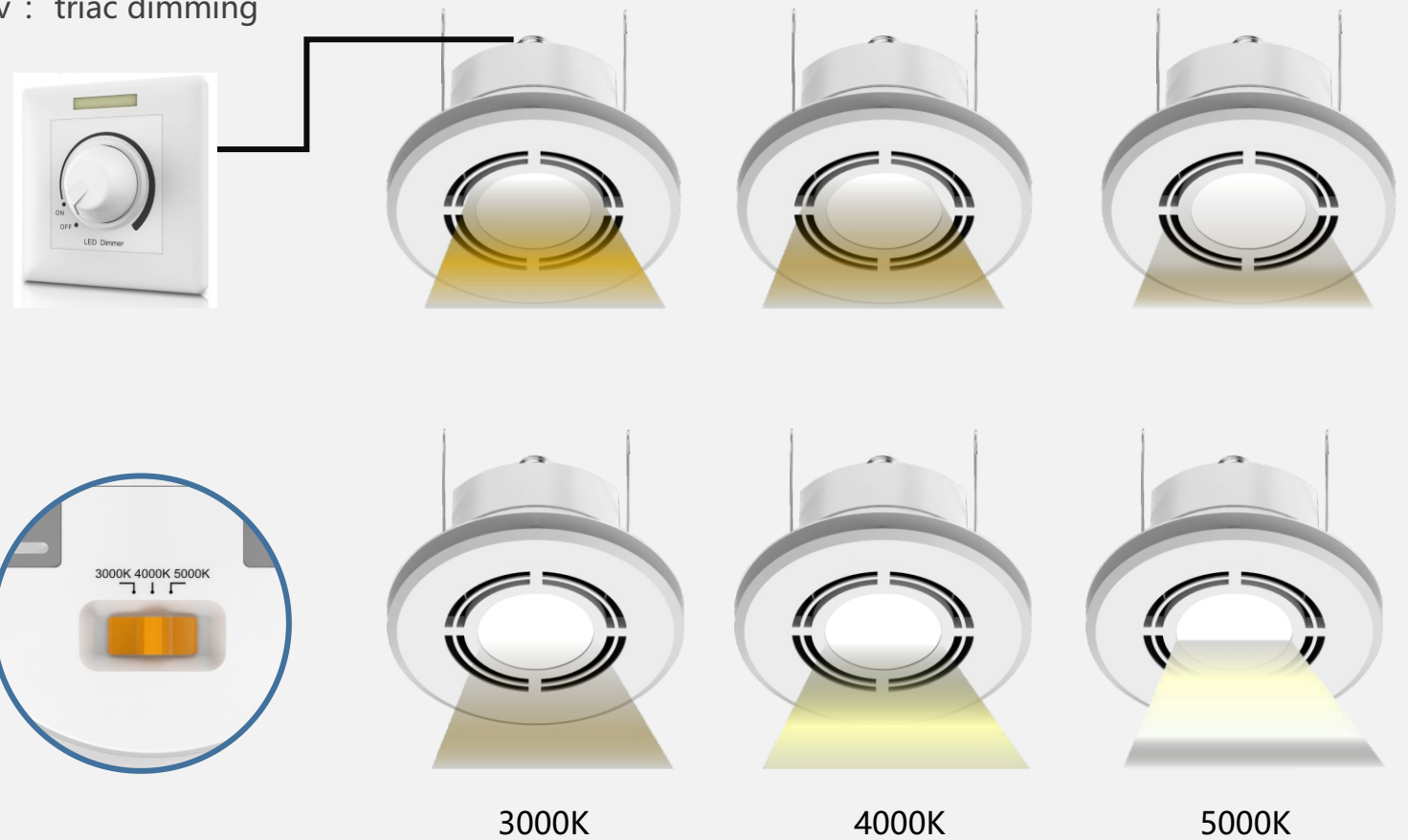
15m³ space Staphylococcus albus test result

| U38 | colonies | | Bacteria amount (CFU/m ³) | disinfection rate |
|-------------------|----------|------|---------------------------------------|-------------------|
| before test | S0 | 2300 | 812720.85 | - |
| disinfect 60mins | S60 | 1600 | 226148.41 | 60.2% |
| disinfect 120mins | S120 | 880 | 62190.81 | 87.2% |
| disinfect 240mins | S240 | 70 | 2473.5 | 99.4% |



U58 UVC Hybrid Downlight- CCT Selectable Lighting

- 1. 3000K/4000K/5000K CCT selectable, for different application
2. 100-277v : 0-10v dimming , 120v : triac dimming



U58 UVC Hybrid Downlight- Multiple Control



3 working model:

Model 1, Press ON: LED lighting on

Model 2, Press OFF&ON continuously&quickly: UVC on,

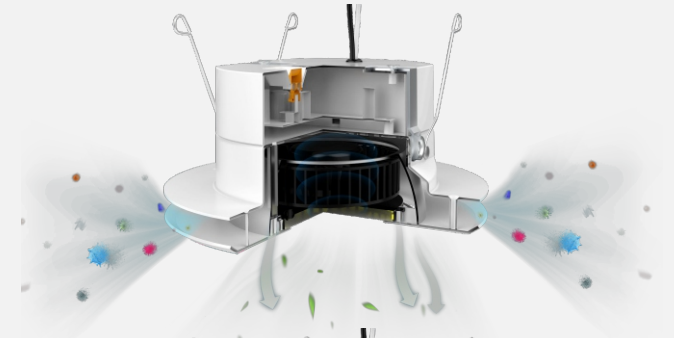
Model 3, Press OFF&ON continuously&quickly AGAIN: LED lighting and UVC both on



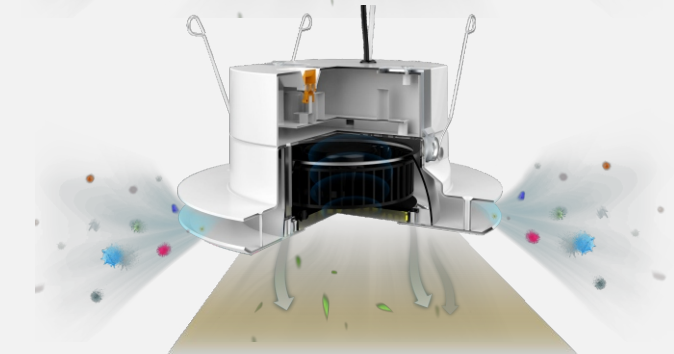
Model 1



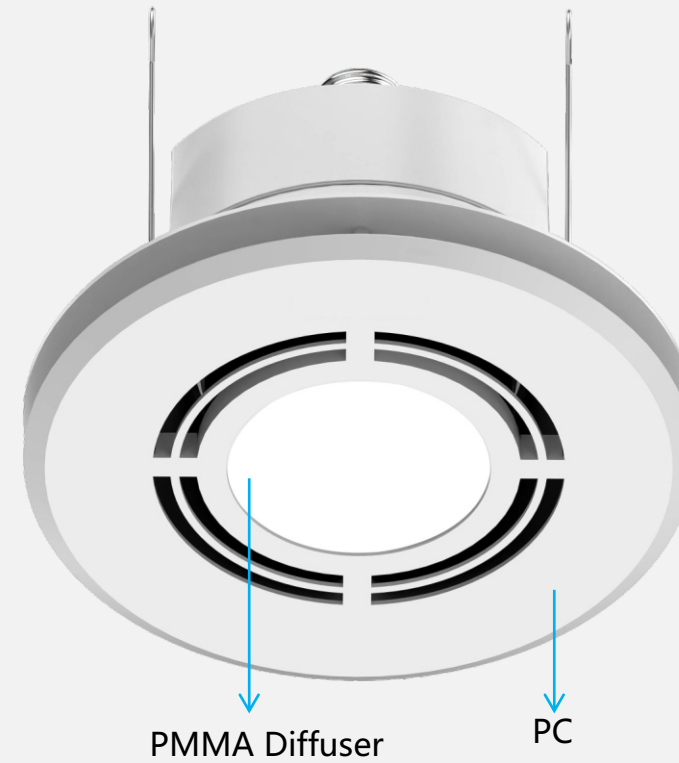
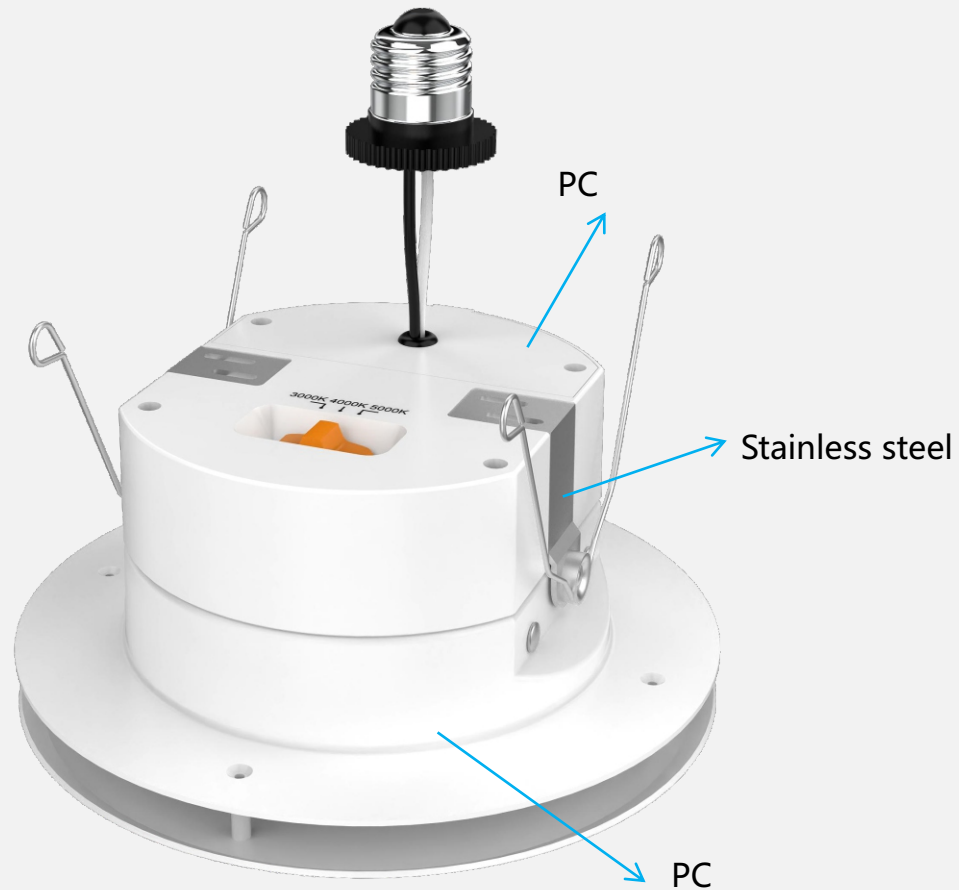
Model 2




Model 3



U58 UVC Hybrid Downlight- Material



U58 Different Styles

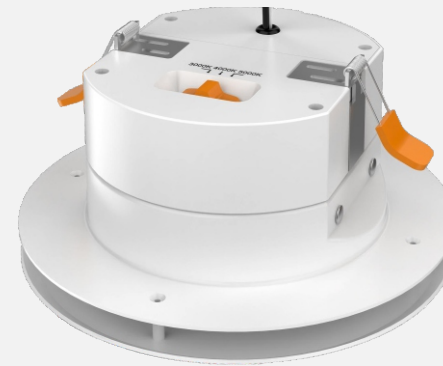
 Two Styles



Insert Into J-box

Finished

120V Retrofit Version

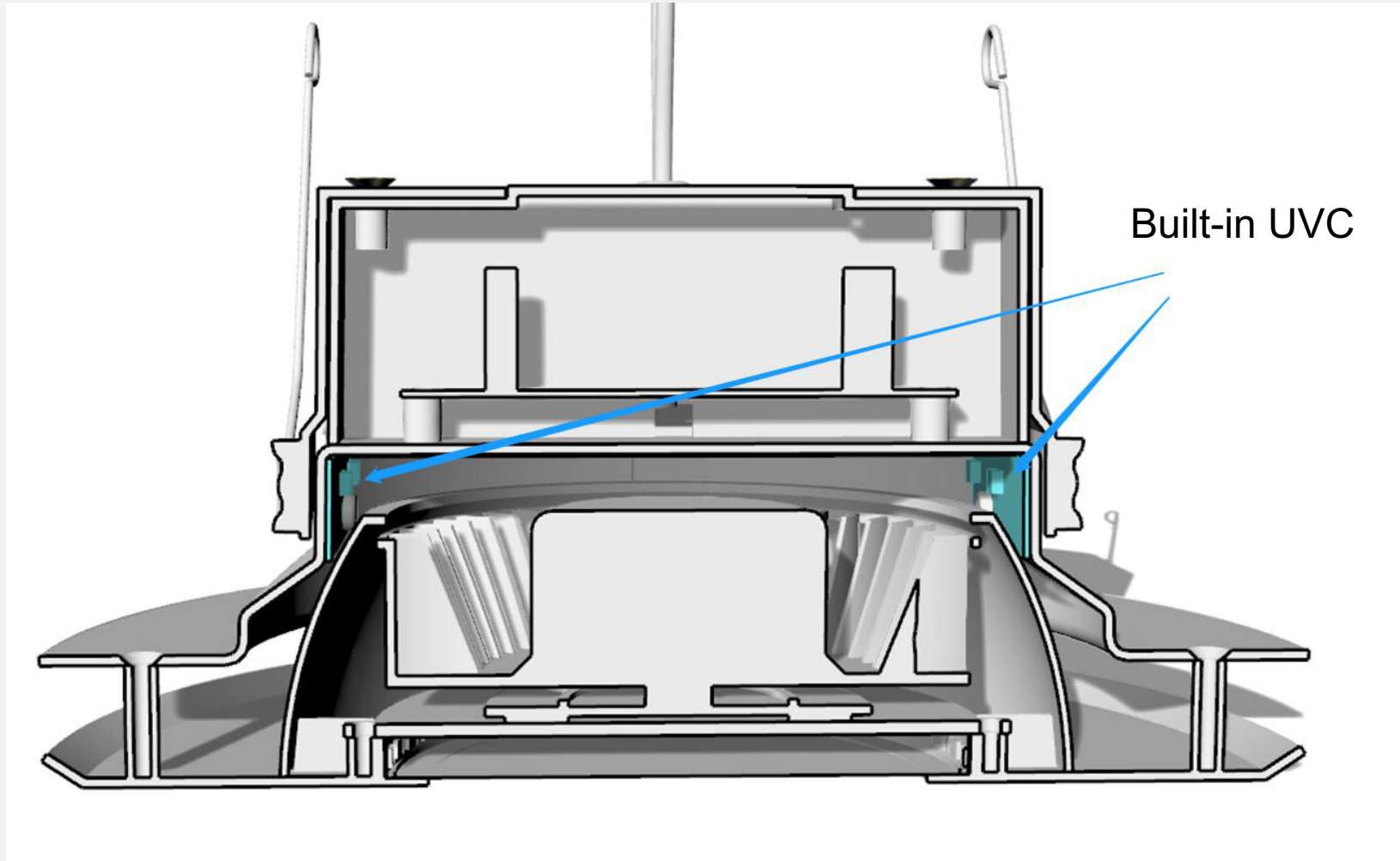


Clip into the Ceiling



100-277V New Installation Version

U58 UVC Hybrid Downlight- Safety



Built-in UVC

Built-in UVC, no UVC ray leak
Meeting UL standard for UVC
products.

Totally safe !

U58 UVC Hybrid Downlight- Specs

Specification

Power: 17w

UVC Power: 4w

LED Lighting Power: 10w

Input Voltage: 100-277V New Installation/120v

Retrofit Version

UVC type: Deep UVC LED

Wavelength: 275nm

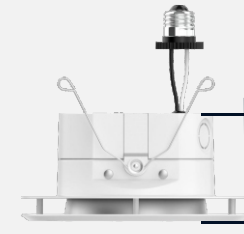
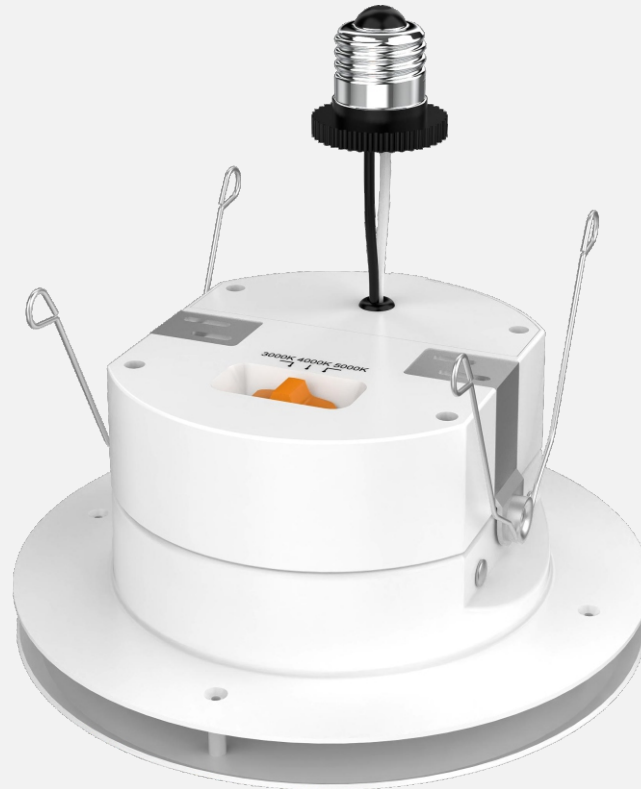
Air Speed: 1.4m/s

Noise: <45dB

Installation: Retrofit & New Installation

Dimensions: 7.1" x7.1" x3.8"

Warranty: 2 years



96mm (3.8in)



180mm (7.1in)

01

Design

02

Appearance

03

Function

04

Specification

05

Application

U58 UVC Hybrid Downlight- Application



Home

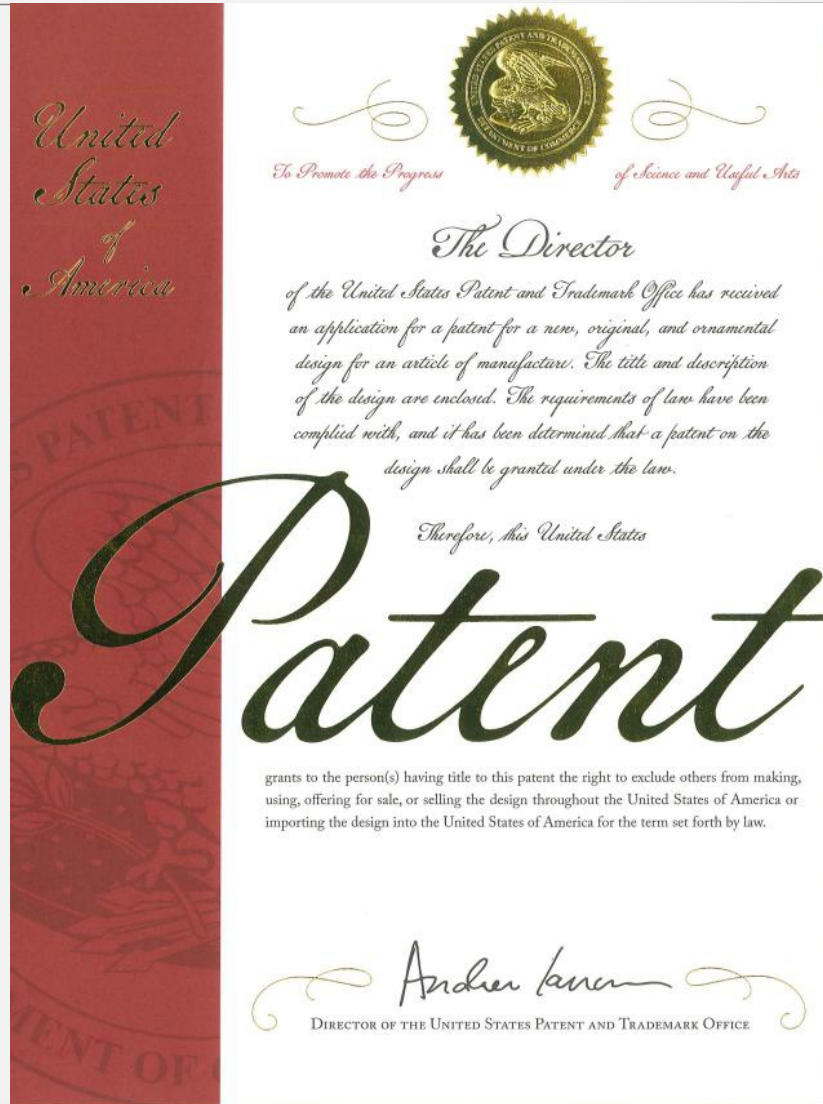


Commercial



Shopping Mall

U58 UVC Hybrid Downlight- Patent



Product is patent pending in US and China.